

Nipple Option

Grease nipple/ Oil piping joint

<p>A - M3</p>	<p>B - M3</p>	<p>A - M6</p>	<p>B - M6</p> <p>JIS B 1517 DIN 71 412 ISO 6392-1 ISO 7824</p>	<p>B - PT1/8</p> <p>JIS B 1517 DIN 71 412 ISO 6392-1 ISO 7824</p>			
<p>OB - M3 - M6</p>		<p>OA - M3 - D4</p>		<p>OA - M6 - M8</p>		<p>OA - M6 - PT1/8</p>	
				<p>Ø 4 Oil hole grease injector available</p>			
<p>OA - M6 - G1/8</p>		<p>OB - M6 - M8</p>		<p>OB - M6 - PT1/8</p>		<p>OA - PT1/8 - M8</p>	
<p>Ø 6 Oil hole grease injector available</p>		<p>Ø 4 Oil hole grease injector available</p>				<p>Ø 4 Oil hole grease injector available</p>	
<p>OA - PT1/8 - PT1/8</p>		<p>OA - PT1/8 - G1/8</p>		<p>OB - PT1/8 - M8</p>		<p>OB - PT1/8 - PT1/8</p>	
		<p>Ø 6 Oil hole grease injector available</p>		<p>Ø 4 Oil hole grease injector available</p>			

LINEAR MOTION TECHNOLOGY

- The L type nipple is for both ball bearing and roller type external seals (SN)

- The XL type nipple is for the roller type external seal (SN)

Note: in case of need for customization or special requirements, please contact **cpc**

<p>A - M3-L</p>	<p>B - M3-L</p>	<p>A - M6-L</p>	<p>B - M6-L</p> <p>JIS B 1517 DIN 71 412 ISO 6392-1 ISO 7824</p>	<p>A - M6-XL</p>
<p>B - M6-XL</p> <p>JIS B 1517 DIN 71 412 ISO 6392-1 ISO 7824</p>	<p>OA-M6-M8-L</p> <p>Ø 4 Oil hole grease injector available</p>	<p>OA-M6-PT1/8-L</p>	<p>OA-M6-G1/8-L</p> <p>Ø 6 Oil hole grease injector available</p>	
<p>OB-M6-M8-L</p> <p>Ø 4 Oil hole grease injector available</p>	<p>OB-M6-PT1/8-L</p>	<p>B-PT1/8-L</p> <p>JIS B 1517 DIN 71 412 ISO 6392-1 ISO 7824</p>	<p>OA-M6-M8-XL</p> <p>Ø 4 Oil hole grease injector available</p>	
<p>OA-M6-PT1/8-XL</p>	<p>OA-M6-G1/8-XL</p> <p>Ø 6 Oil hole grease injector available</p>	<p>OB-M6-M8-XL</p> <p>Ø 4 Oil hole grease injector available</p>	<p>OB-M6-PT1/8-XL</p>	

Lubrication Kit and Grease Gun

The **cpc** Lubrication Unit is a supply nozzle with 3 different sizes of nozzle adaptors. These nozzle adaptors are suitable for differently sized grease nipples on different sized linear blocks.



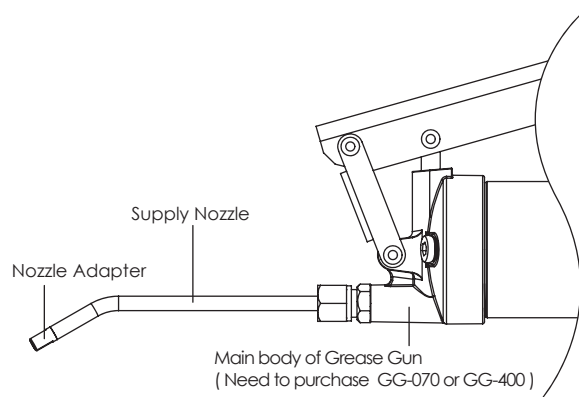
Nipple Option

	Type			Nipple Size		Nipple Type
				Section	Side	
Ball	ARC15	HRC15	-	M3	M3	A-M3
	ARC20	HRC20	-	M3	M3	B-M3
	ARC25	HRC25	ERC25	M6	M3	A/B-M6
	ARC30	HRC30	-	M6	M6	A/B-M6
	ARC35	HRC35	-	M6	M6	A/B-M6
	ARC45	HRC45	-	PT1/8	M6	B-PT1/8
	ARC55	HRC55	-	M6	M6	A/B-M6
Roller	ARR35	HRR35	LRR35	M6	M6	A/B-M6
	ARR45	HRR45	LRR45	M6	M6	A/B-M6

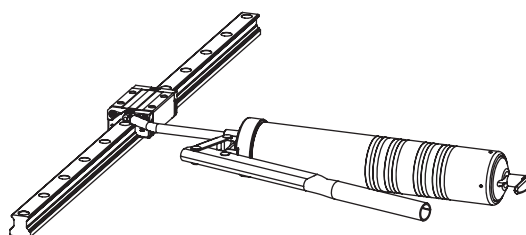
GP-PT1/8-01 Lubrication Kit

The Lubrication Kit comes equipped with a supply nozzle (GT-1/8-M5) and three kinds of different nozzle adaptors (GH-M5-MR, GH-M5-06, GH-M5-08).

The supply nozzle can be mounted on the main body of the common manual or pneumatic grease gun with PT1/8 tapped connectors widely available on the market.



Greasing Diagram



Supply Nozzle

Type	Dimension
GT-PT1/8-M5	

LINEAR MOTION TECHNOLOGY

Nozzle Adapter

Unit: mm

Type	Dimension	Grease Nipple	
GH-M5-MR		MR series Miniature linear guide size MR-15M \ MR-15W MR-12M \ MR-12W	
GH-M5-06		A-M3 A-M3X	
		B-M3 B-M3X	
GH-M5-08		A-M6 A-M6-L A-M6-XL	
		B-M6 B-M6-L B-M6-XL	
		B-PT1/8 B-PT1/8X	

Main body of Grease Gun

Option for the main body of the Grease Gun: GG-070 for 70g volume grease pack and GG-400 for 400g volume grease pack.

Unit: mm

Type	Dimension	Feature
GG-070		<ol style="list-style-type: none"> 1. Pressure: 27Mpa 2. Output Volume: 0.5~0.7 c.c/stroke 3. Grease: Suitable for 70g volume grease pack or bulk loading
GG-400		<ol style="list-style-type: none"> 1. Pressure: 62Mpa 2. Output Volume: 1.0~1.2 c.c/stroke 3. Grease: Suitable for 400g volume grease pack or bulk loading